



Parts Manual

Admiral 32



PowerBoss, Inc.
A Member Of The Hako Group

Table Of Content

Description	Assembly Code	Page	Description	Assembly Code	Page
Introduction		3			
Chassis	99709033BT10	4	Scrub Head Lift & Solution Pump	99709033BT110	24
Wheel Suspension	99709033BT20	6	Scrub Head Assembly	99709033BT120	26
Steering Console & Dash Board	99709033BT30	8	Side Squeegee Assembly LH / RH	99709033BT130	28
Accelerator Pedal Assembly	99709033BT40	10	Squeegee Lift Assembly	99709033BT140	30
Brake Pedal & Parking Brake Assembly	99709033BT50	12	Squeegee Assembly	99709033BT150	32
Steering Column Assembly	99709033BT60	14	Control Box Electrical	99709033BT160	34
Seat Assembly	99709033BT70	16	Drive Control Contactor Assembly	99709033BT161	36
Solution / Recovery Tank Assembly	99709033BT80	18	Decals	99709033BT170	38
Cover Tank Assembly	99709033BT90	20	Warranty Information		40/41
Vacuum Motor Assembly	99709033BT100	22	EC-Declaration		42

Introduction

This manual is for the PowerBoss Admiral 32 scrubber. It provides the parts lists for your new machine.

This manual covers all standard Admiral 32 machine variations.

The machine will provide excellent service. However, the best results will be obtained if:

- The machine is operated with reasonable care.
- The machine is maintained regularly per the maintenance schedule in the instruction manual provided.
- The machine is maintained with PowerBoss OEM supplied or equivalent parts.

All right side and left side references to the machine are determined by facing the direction of forward travel. Parts may be ordered by phone or mail from any PowerBoss parts and service center. Before ordering parts or supplies be sure to have your machine model number and serial number handy.

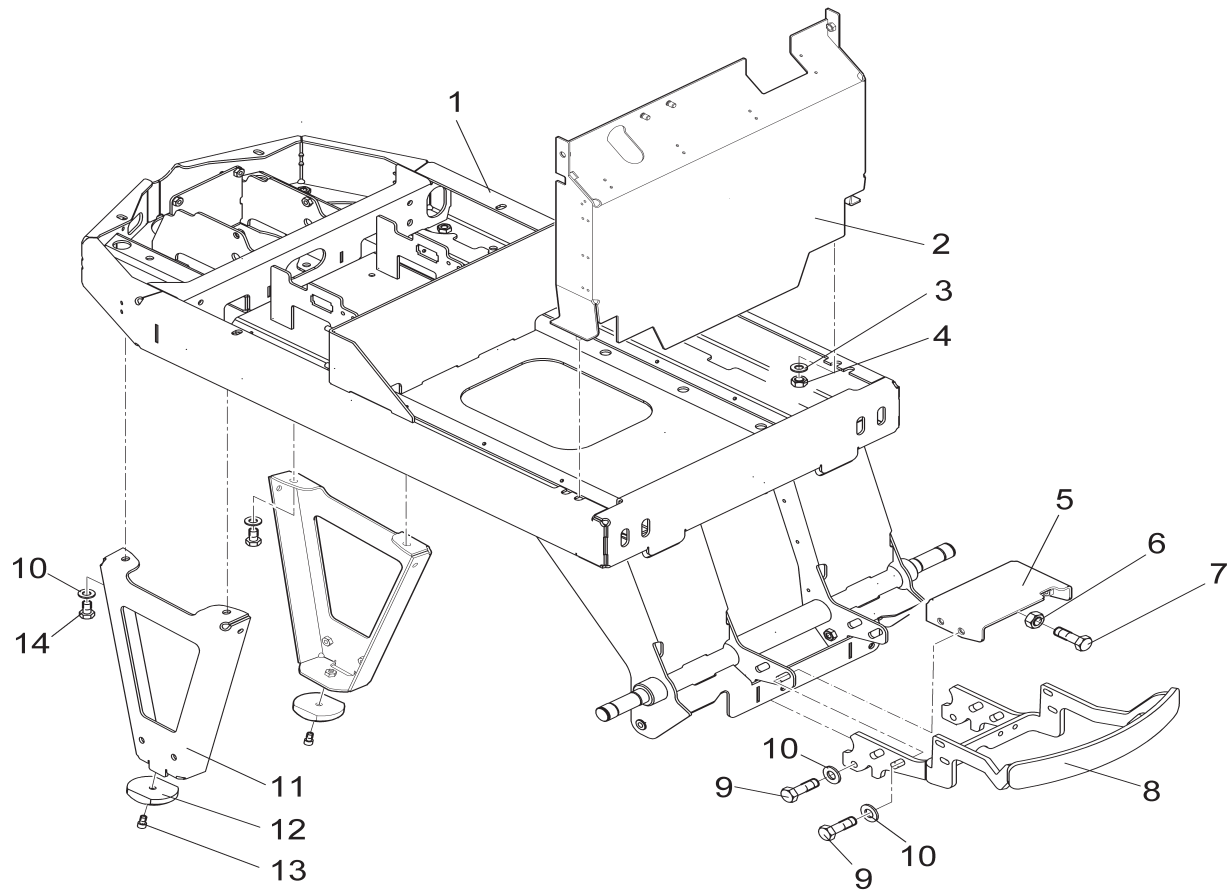
Fill out the data block below for future reference.

MACHINE DATA Fill Out At Installation	
Model:	Admiral 32
Serial Number:	_____
Sales Rep or Dealer	_____
Date of Install:	_____
Manual p/n:	4100016

All information contained in this manual is current at the time of printing However, PowerBoss Reserves the right to make changes at any time without notice.

©2007, PowerBoss, Inc., Printed in USA

All rights reserved. This manual may not be copied or reproduced in any form, without the written permission of PowerBoss, Inc.

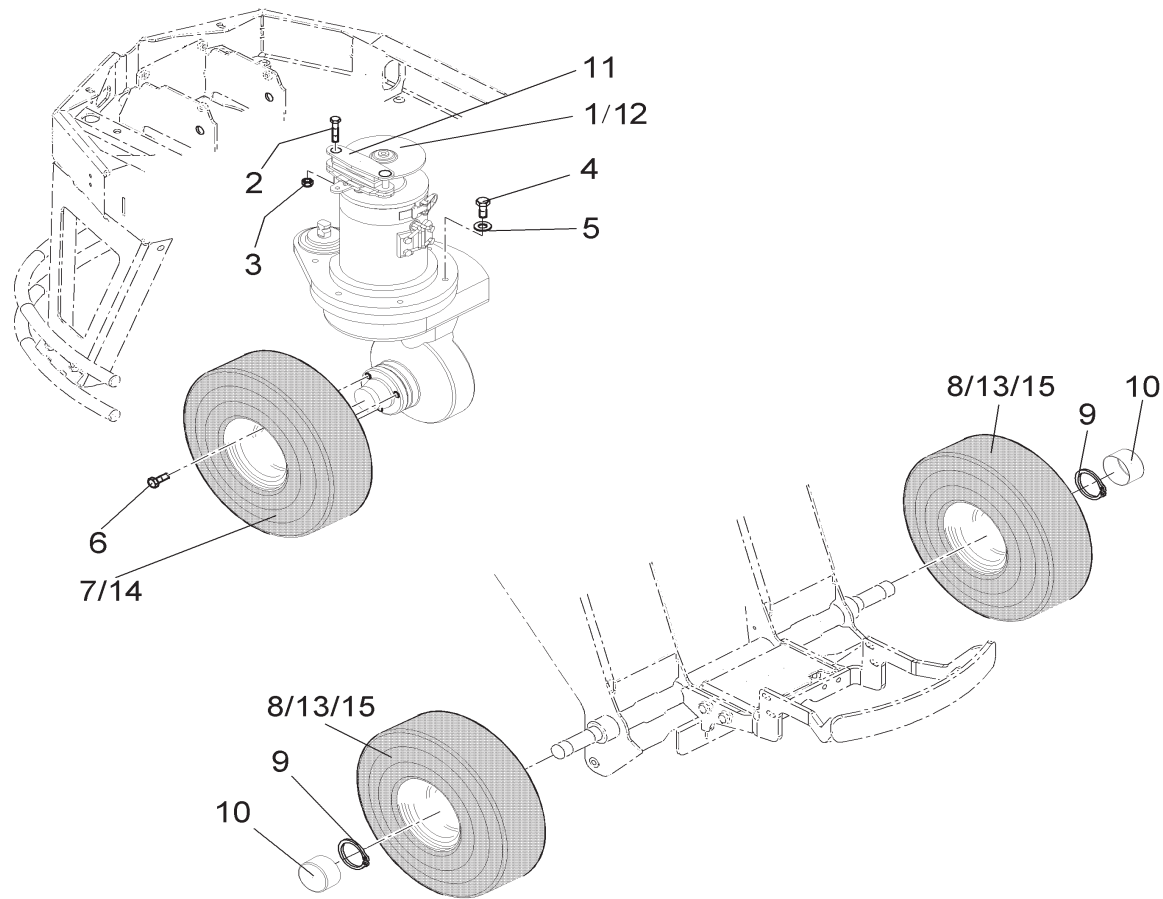


Admiral 32 (99709033) Rev.00 6/28/07

99709033BT10 Chassis

Item	Part number	Description	Qty.	Remarks
1	03006920	Chassis	1	
2	03000260	Sheet Metal	1	
3	00740090	Detent Edged Washer	4	
4	00053350	Hexagon Nut	4	
5	03000270	Plate, cpl.	1	
6	00053360	Hexagon Nut	1	
7	00053170	Hexagon Screw	1	
8	01071640	Bumper Rear Frame Extension	1	
9	00053160	Hexagon Screw	4	
10	00740290	Detent edged Washer	8	
11	01071240	Supporting Plate	2	
12	01070970	Stay	2	
13	00154410	Cylinder Head Screw	2	
14	00021130	Hex.Bolt	4	

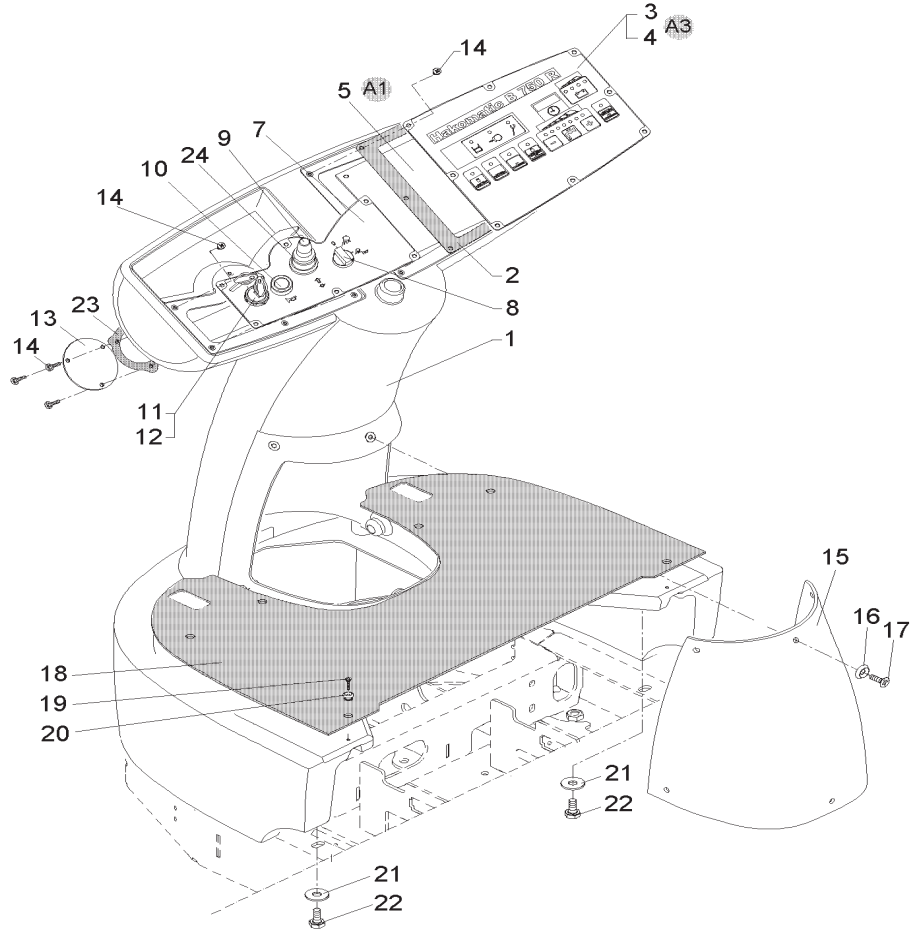
Wheel Suspension BT20



**Admiral 32 (99709033) Rev.00 6/28/07
99709033BT20 Wheel Suspension**

Item	Part Number	Description	Qty.	Remarks
1	01070960	Front Drive Wheel	1	
2	00535110	Hex.Bolt	2	
3	00051520	Hexagon Nut	2	
4	00055460	Hex.bolt	6	
5	00740290	Detent Edged Washer	6	
6	00959310	Hex.Bolt	3	
7	01070950	Front Wheel, cpl.	1	
8	01070940	Rear Wheel, cpl. Incl. Bearing	2	
9	00022460	Retaining Ring	2	
10	01071250	Cap	2	
11	01073660	Brake Repair Set	1	
12	01075790	Carbon Brush (Set 4 pc.)	1	
13	00281050	Deep Groove Ball Bearing	4	
14	01076120	Rim Front	2	
15	01076130	Rim Rear	2	

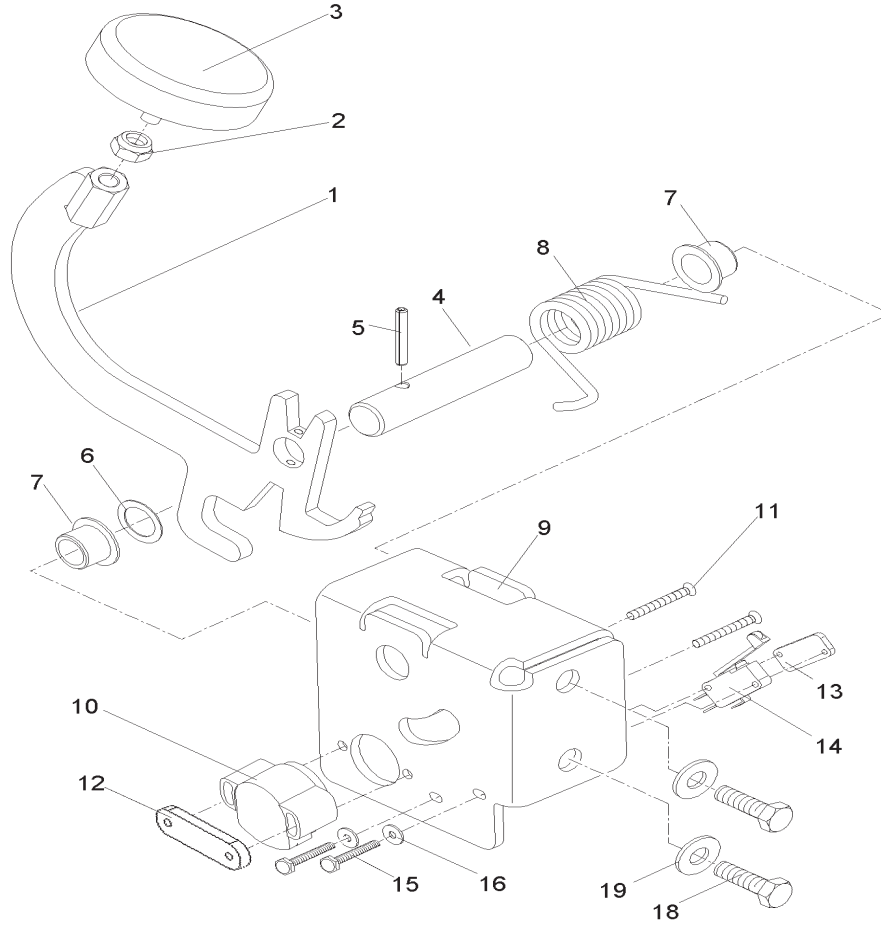
Steering Console / Dash Board BT30



Admiral 32 (99709033) Rev.00 6/28/07
99709033BT30 Steering Console / Dash Boards

Item	Part number	Description	Qty.	Remarks
1	01073070	Steering	1	
2	01070980	Seal	1	
3	01071660	Sheet Metal	1	
4	00712220	Control Panel	1	
5	00712160	Control Unit	1	
7	01071670	Sheet Metal	1	
8	01073320	Rotary Switch	1	
9	00697630	Switch	1	
10	00133770	Press Switch	1	
11	00021710	Key Switch	2	
12	00745890	Set (2pc.) key	1	
13	03000280	Cap	1	
14	01072790	Truss Head Screw	17	
15	03000290	Hood	1	
16	00157690	Annular Plate	6	
17	00154680	Countersunk Screw	1	
18	01071680	Bottom Plate	1	
19	01073120	Amtec Screw	6	
20	01073130	Knob	6	
21	00740080	Washer	4	
22	00053080	Hexagon Screw	1	
23	01072000	Seal	1	
24	01074110	Rubber Cap	1	

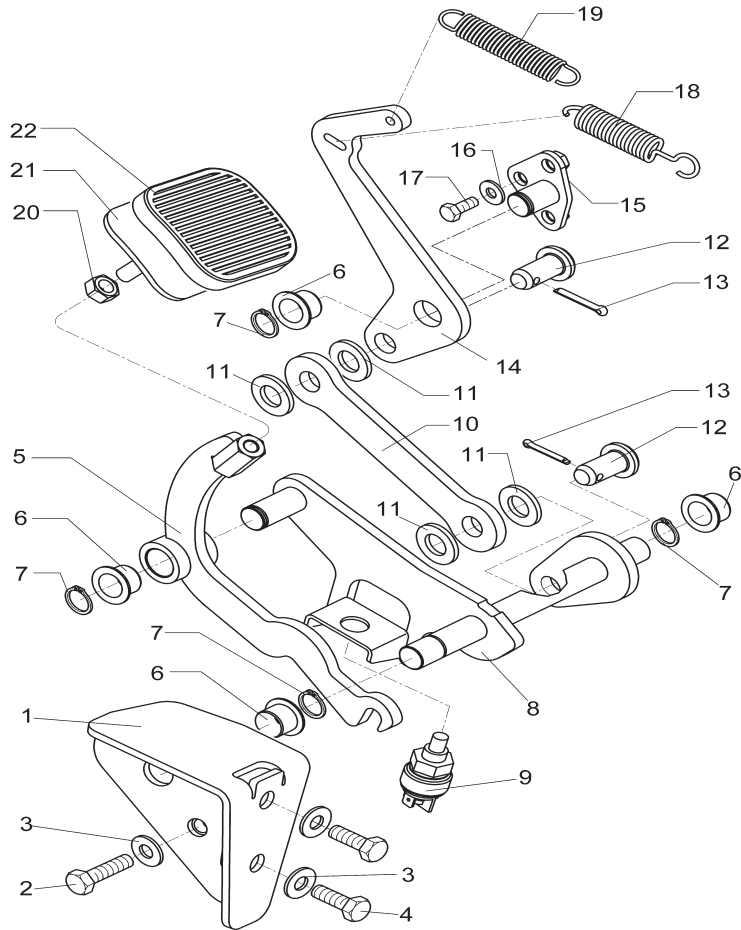
Accelerator Pedal Assembly BT40



Admiral 32 (99709033) Rev.00 6/28/07
99709033BT40 Accelerator Pedal Assembly

Item	Part Number	Description	Qty.	Remarks
1	01071260	Cam Arm	1	
2	00053350	Hexagon Nut	1	
3	01071270	Cam Arm Cover	1	
4	01071280	Shaft	1	
5	01073260	Dowel Pin	1	
6	00906020	Adjusting Washer	1	
7	01058400	Plain Bearing Bushing	2	
8	01073140	Leg Spring	1	
9	03000300	U-Bow Mounting Bracket	1	
10	01058390	Potentiometer, cpl.	1	
11	00737690	Screw	1	
12	01074850	Thread Base Plate	1	
13	01074840	Thread Base Plate	1	
14	00975510	Micro Switch	2	
15	00022180	Hex.Bolt	2	
16	00747400	Washer	2	
18	00053090	Hexagon Screw	2	
19	00740090	Detent Edged Washer	2	

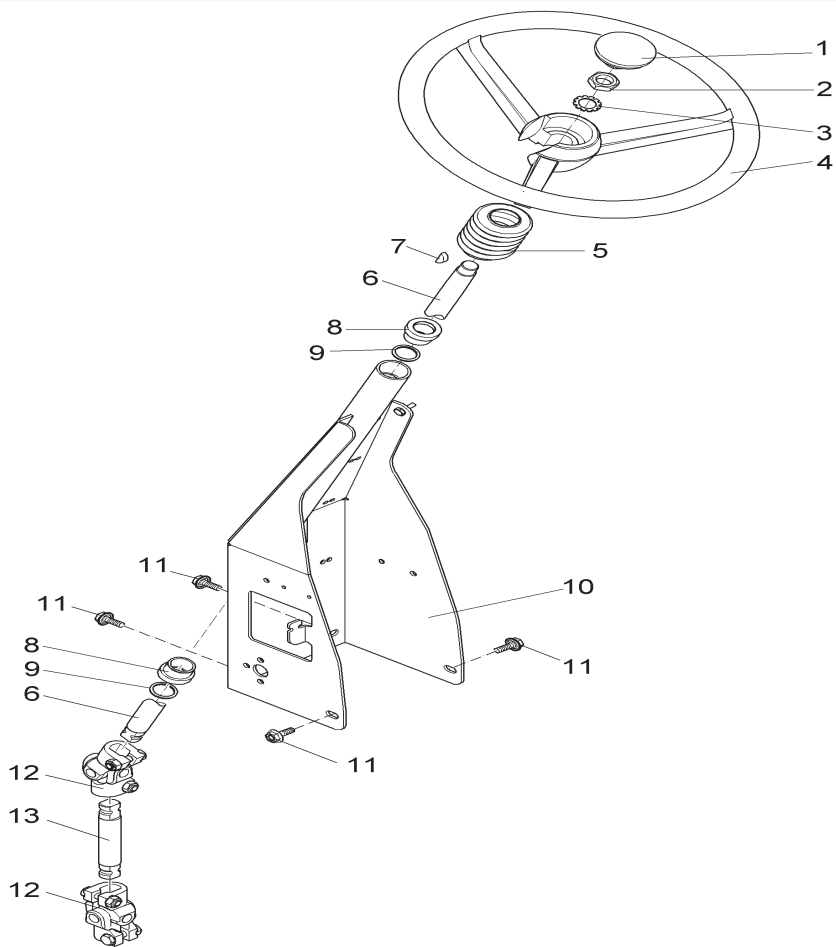
Brake Pedal & Parking Brake Assembly BT50



Admiral 32 (99709033) Rev.00 6/28/07
99709033BT50 Brake Pedal & Parking Brake Assembly

Item	Part Number	Description	Qty.	Remarks
1	03000310	Angle Bracket cpl.	1	
2	00053090	Hexagon Screw	3	
3	00740090	Detent Edged Washer	3	
5	01071290	Lever	1	
6	01058400	Plain Bearing Bushing	5	
7	00022440	Retaining Ring	4	
8	01071300	Lever	1	
9	00028680	Switch Stop Light	1	
10	01071310	Bracket	1	
11	00053770	Washer	4	
12	00901510	Bolt	2	
13	00553580	Cotter Pin	2	
14	01071320	Lever	1	
15	01071330	Pin	1	
16	00730940	Detent Edged Washer	3	
17	00104500	Hexagon Screw	3	
18	00127400	Tension Spring	1	
19	00851210	Tension Spring	1	
20	00053350	Hexagon Nut	1	
21	01071340	Pedal Plate	1	
22	01071350	Pedal Cover Rubber	1	

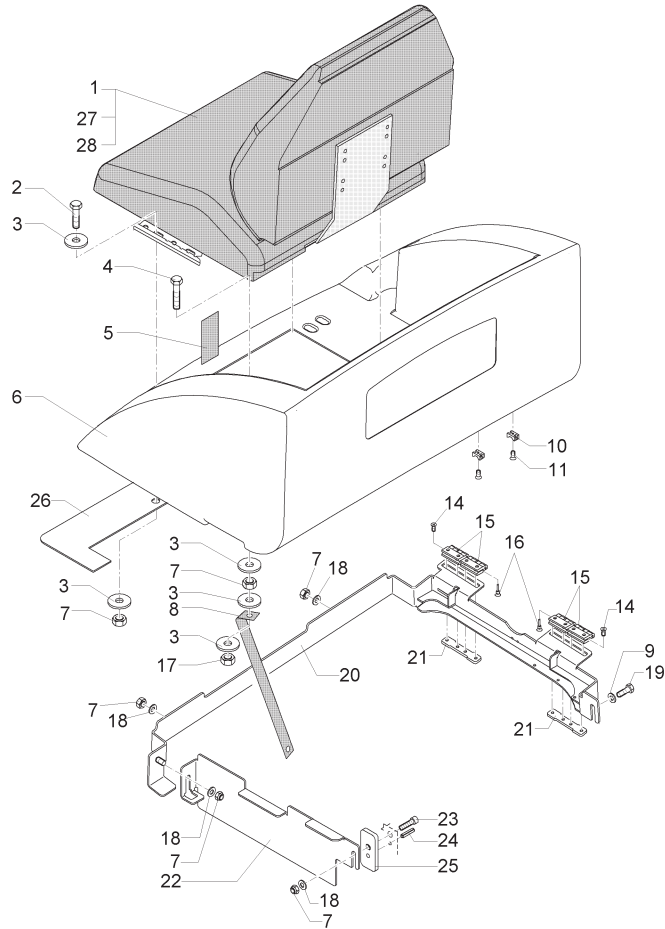
Steering Column Assembly BT60



Admiral 32 (99709033) Rev.00 6/28/07
99709033BT60 Steering Column Assembly

Item	Part Number	Description	Qty.	Remarks
1	00852310	Cap	1	
2	00074350	Hex. Nut	1	
3	00075290	Toothed Washer	1	
4	00770220	Steering Wheel	1	
5	01054880	Bellows	1	
6	00980760	Shaft	1	
7	00153600	Woodruff Key	1	
8	00523630	Bushing	2	
9	00554400	O-ring Oil Resistant	2	
10	03000320	Holder Steering Wheel	1	
11	00959310	Hex.Bolt	4	
12	00746040	Cardan Joint	2	
13	00975430	Shaft	1	

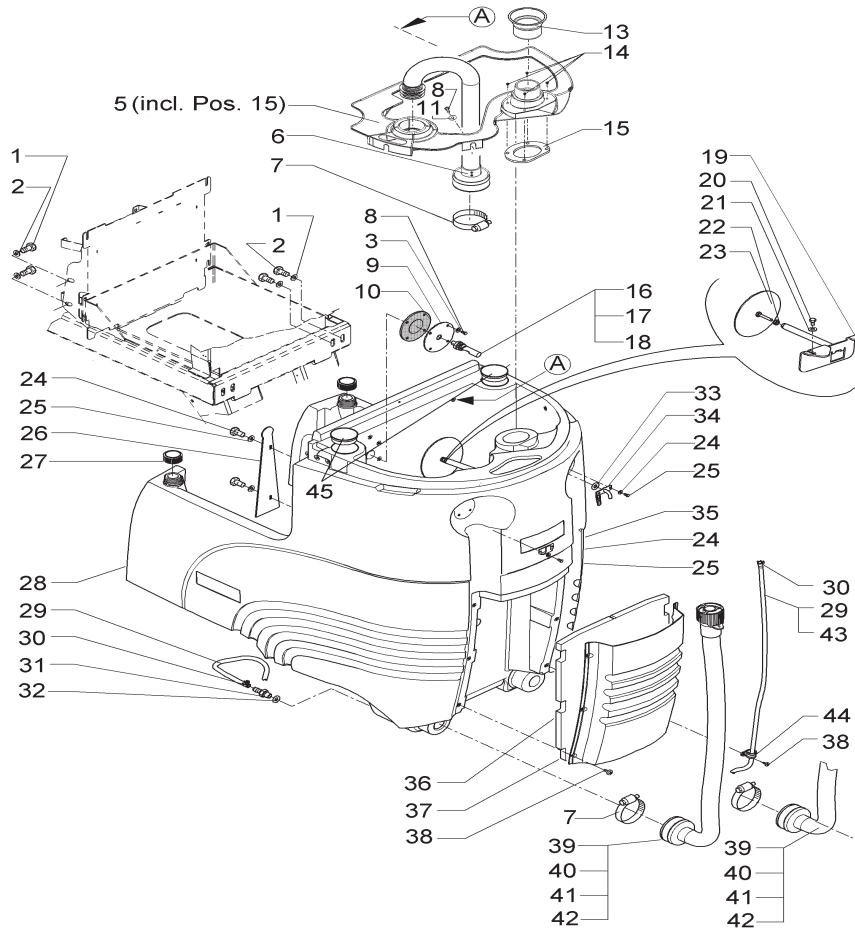
Seat Assembly & Mounting Bracket BT70



Admiral 32 (99709033) Rev.00 6/28/07
99709033BT70 Seat Assembly & Mounting Bracket

Item	Part Number	Description	Qty.	Remarks
1	01071360	Seat	1	
2	00133700	Hexagon Screw	3	
3	00042900	Washer	6	
4	00053260	Hex.Bolt	1	
5	01071710	Decal "Instruction Manual"	1	
6	03003300	Holder Seat	1	
7	00051510	Hexagon Nut	9	
8	01055740	Belt	1	
9	00740090	Detent Edged Washer	1	
10	00780710	Socket	2	
11	00127340	Tapping Screw	2	
14	00073160	Screw	8	
15	00029230	Hinge	4	
16	01063420	Self Tapping Screw	8	
17	00053350	Hexagon Nut	1	
18	00053750	Washer	4	
19	00053090	Hexagon Screw	1	
20	03000340	Plate	1	
21	01072970	Adjusting Latch	2	
22	03000620	Intermediate Sheet	1	
23	00103300	Socket Head Screw	1	
24	00107140	Dowel Pin	1	
25	01072960	Adjusting Latch	1	
26	03000630	Plate Contact	1	
27	01073290	Micro Switch	1	
28	XXXXXXXX	No Part No.	1	Chair Cushion SC76 Incl. Seat Switch 01073290

Solution Recovery Tank Assembly BT80

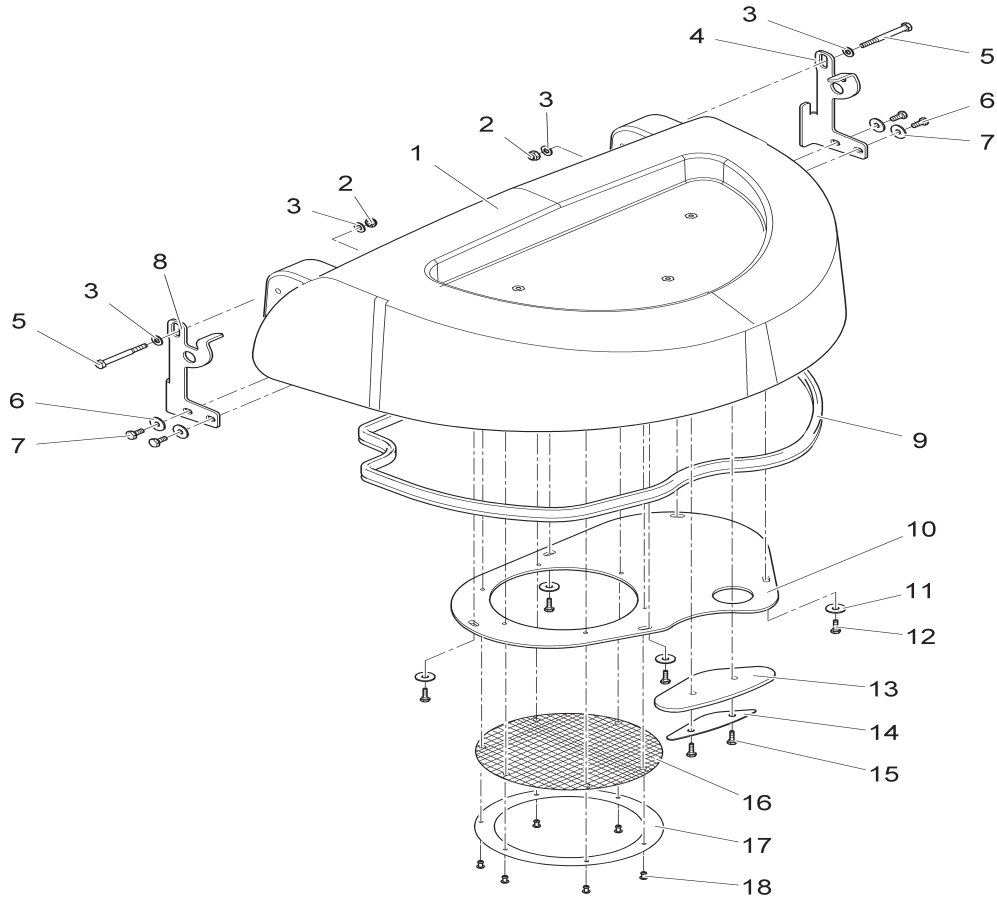


99709033BT80 Solution Recovery Tank Assembly

Item	Part Number	Description	Qty.	Note
1	00053090	Hexagon Screw	8	
2	00879170	Washer	8	
3	00102150	Washer	9	
5	01076000	Swash Guard	1	Incl. Pos. 15
6	01075980	Hose	1	
7	00736200	Hose Clamp	2	
8	01071890	Hex.Bolt	9	
9	03000360	Sheet Metal	1	
10	01070910	Seal	1	
11	00854210	Washer	5	
13	01076650	Connector Rubber Flared	1	
14	00961490	Self Tapping Screw	7	
15	01075990	Gasket	1	
16	00861620	Float Switch	1	
17	00903180	Plastic Cover	1	
18	00903170	Tab	1	
19	03000370	Support Bracket Tank	1	
20	01071740	Hex.Bolt	1	
21	00902280	Washer	1	
22	00971400	Hexagon Nut	1	
23	03000380	Pressure Plate Tank Support	1	
24	00054680	Hex.Bolt	6	

Item	Part Number	Description	Qty.	Note
25	00053720	Washer	6	
26	03000390	Sheet Metal	1	
27	01072130	Cap Small Screw On	2	
28	01077140	Tank Assembly	1	
29	00711670	Hose	1	
30	00056960	Clamp	2	
31	01072180	Fitting Screw In Straight	1	
32	00057720	O-Ring Oil Resistant	1	
33	00045750	O-Ring Oil Resistant	1	
34	01072140	Hose Support, cpl.	1	
35	00903160	Hook	1	
36	01072150	Insulating Material	1	
37	03000410	Cover	1	
38	00556950	Phillips Head Screw	6	
39	01072160	Hose, cpl.	2	
40	00906110	Cover	2	
41	00906100	Phillips Head Screw	4	
42	00107270	O-ring	2	
43	01072170	Ball	2	
44	00130250	Pipe Lamp	1	
45	01075490	Plug	2	

Cover Tank Assembly BT90

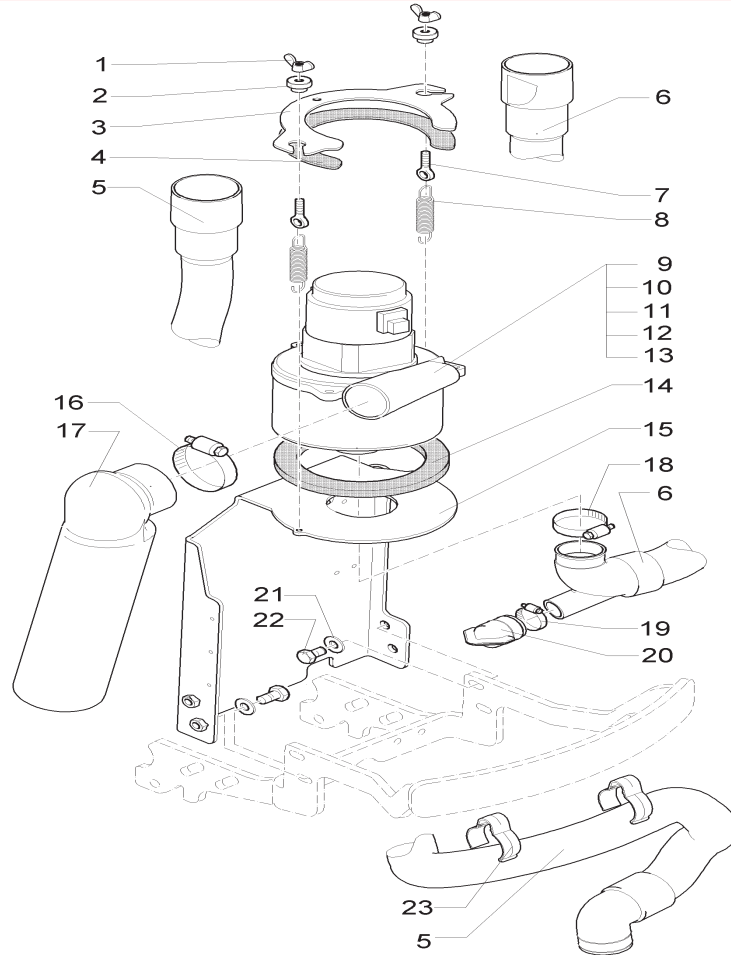


Admiral 32 (99709033) Rev.00 6/28/07

99709033BT90 Cover Tank Assembly

Item	Part Number	Description	Qty.	Remarks
1	03000420	Cover, cpl.	1	
2	00051510	Hexagon Nut	2	
3	00053750	Washer	4	
4	01071730	Sheet Metal	1	
5	00153400	Hex.Bolt	2	
6	01071740	Hex.Bolt	4	
7	00902280	Washer	4	
8	01071720	Sheet Metal	1	
9	01071770	Sealing Profile	1	
10	03000430	Plate	1	
11	00854210	Washer	7	
12	01071750	Hexagon Screw	5	
13	01075580	Gasket	1	
14	01075590	Sheet Metal	1	
15	00854190	Hexagon Screw	2	
16	01070920	Strainer	1	
17	03000440	Flange	1	
18	01073330	Rivet	6	

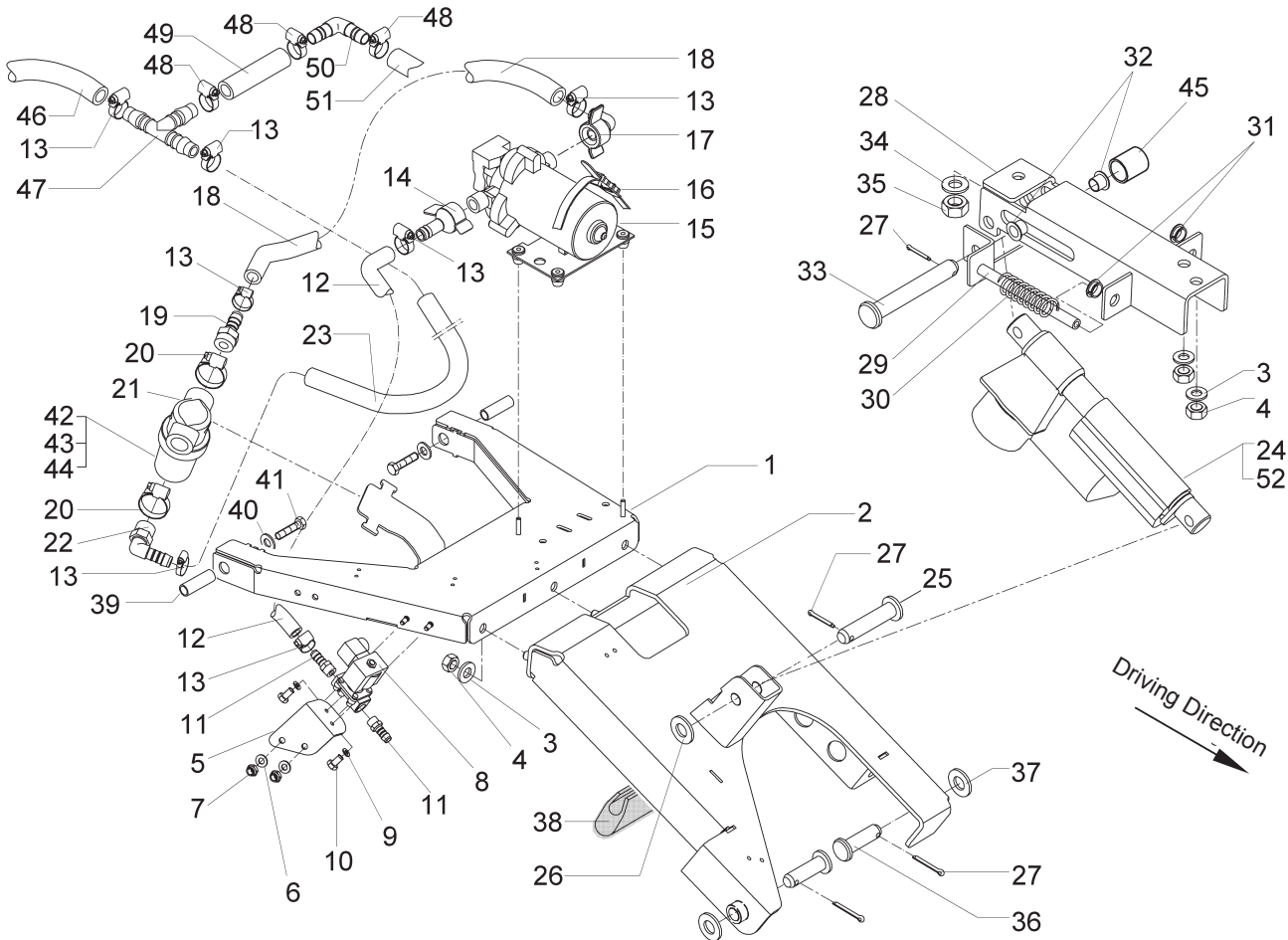
Vacuum Motor Assembly BT100



Admiral 32 (99709033) Rev.00 6/28/07
99709033BT100 Vacuum Motor Assembly

Item	Part Number	Description	Qty.	Remarks
1	00054020	Wing Nut	2	
2	00903210	Knurled Nut	2	
3	01071540	Clamping Sheet Metal	1	
4	01071550	Seal	1	
5	01071560	Hose	1	
6	01071570	Hose	1	
7	00508770	Eye Bolt	2	
8	00109410	Tension Spring	2	
9	00543510	Vacuum Motor	1	
10	00904050	Toroidal Core	1	
11	00903190	Tab	1	
12	00903180	Plastic Cover	1	
13	00048840	Carbon Brush	2	
14	01071580	Seal	1	
15	03000450	Support, cpl.	1	
16	00732130	Hose Clamp	1	
17	00471570	Hose	1	
18	00751160	Hose Clamp	1	
19	00733160	Hose Clamp	1	
20	00054560	Valve	1	
21	00740090	Detent Edged Washer	4	
22	00077110	Hexagon Screw	4	
23	01071590	Hose Clip	2	

Scrub Head Lift & Solution Pump Assembly BT110



Scrub Head Lift & Solution Pump Assembly BT110

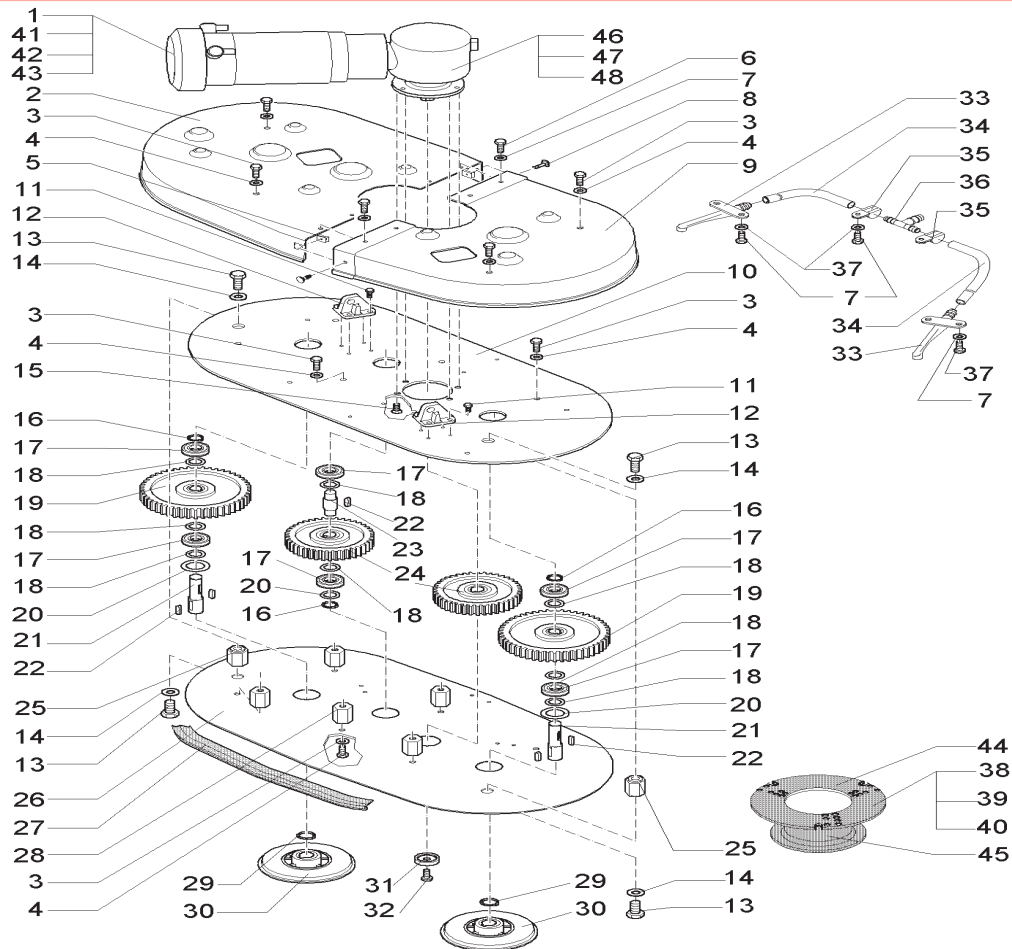
Admiral 32 (99709033) Rev.00 6/28/07

99709033BT110 Scrub Head & Solution Pump Assembly

Item	Part Number	Description	Qty.	Remarks
1	01077330	Lifting Fork	1	
2	03003120	Rocker Bracket, cpl.	1	
3	00053750	Washer	5	
4	00051510	Hexagon Nut	5	
5	03000470	Support	1	
6	00053720	Washer	2	
7	00051340	Hexagon Nut	2	
8	01071000	Electrovalve	1	
9	00053710	Washer	2	
10	00058580	Hex.Bolt	2	
11	00976140	Fitting Screw in Straight	2	
12	00200170	PVC Hose	1	
13	01015350	Hose Clamp	8	
14	01071450	Fitting Screw in Straight	1	
15	00543750	Pump	1	
16	01073340	Cable Tie	1	
17	00154140	Fitting Screw in 90°Angle	1	
18	00200170	PVC Hose	1	
19	01071470	Fitting Screw in Straight	1	
20	01071810	Hose Clamp	2	
21	01072850	Filter	1	
22	00971440	Fitting Screw in 90°Angle	1	
23	00200170	PVC Hose	1	
24	01071820	Motor Scrub Head Lift	1	
25	00059530	Bolt	1	
26	00151200	Washer	1	

Item	Part Number	Description	Qty.	Remarks
27	00553580	Cotter Pin	4	
28	03000490	Support, cpl.	1	
29	03003130	Guide Holder	1	
30	01001180	Pressure Spring	2	
31	00967690	Slide Bearing	2	
32	01072930	Plain Bearing Bushing	2	
33	00879630	Bolt	1	
34	00053760	Washer	1	
35	00051500	Hexagon Nut	1	
36	00901430	Bolt	2	
37	00053770	Washer	2	
38	01052820	Edge Protection	191mm	
39	01073350	Pipe	2	
40	00962220	Washer	2	
41	00151790	Hexagon Screw	2	
42	01071010	Filter Insert	1	
43	01072830	Sealing Ring	1	
44	01072840	Straining Cap	1	
45	01072410	Bushing	1	
46	00200170	PVC hose	1	
47	01073020	Fitting T-Piece	1	
48	00529390	Hose Clamp	3	
49	00711670	Hose	1	
50	01073010	Fitting Angle Connection	1	
51	00711670	Hose	1	
52	00962620	Clamp	1	

Scrub Head Assembly BT120

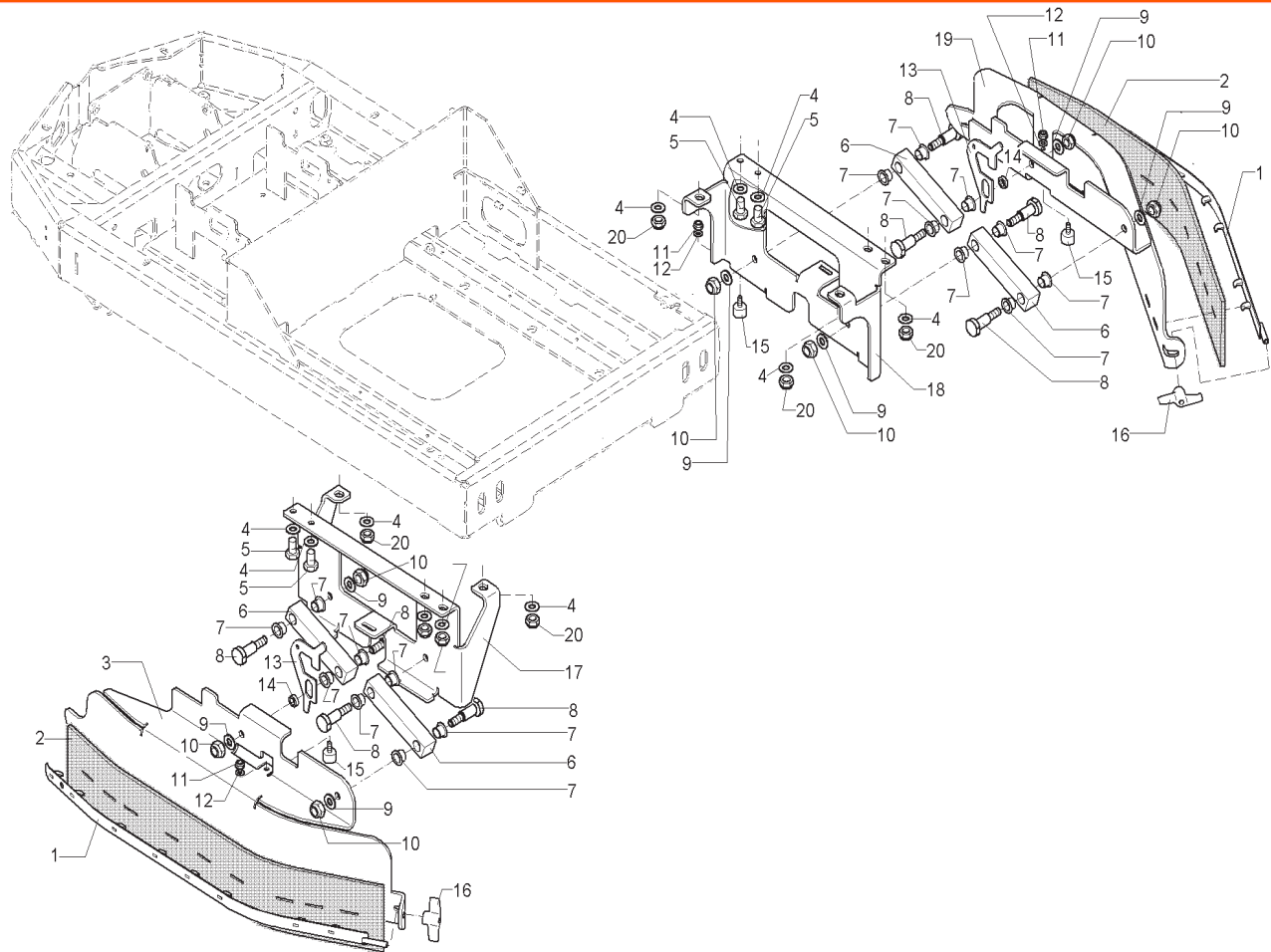


**Admiral 32 (99709033) Rev.00 6/28/07
99709033BT120 Scrub Head Assembly**

Item	Part Number	Description	Qty.	Remarks
1	01070930	Geared Motor	1	
2	01071830	Cover	1	
3	00553690	Hex.Bolt	16	
4	00053750	Washer	16	
5	00903540	Snap Nut	2	
6	00053010	Hex.Bolt	4	
7	00053730	Washer	12	
8	00905520	Screw	2	
9	01071840	Cover	1	
10	01071850	Plate	1	
11	00104500	Hexagon Screw	8	
12	00901370	Bearing Block	2	
13	00101160	Hexagon Screw	4	
14	00053770	Washer	4	
15	00705440	Screw	4	
16	00022230	Retaining Ring	3	
17	00901380	Deep Groove Ball Bearing	6	
18	00155180	Adjusting Washer	8	
19	00712890	Gear Wheel	2	
20	01071860	Ring	3	
21	00959680	Shaft	2	
22	00121640	Feather Key	5	
23	01071870	Shaft	1	
24	00901100	Gear Wheel	2	
25	00959670	Spacer Sleeve	2	

Item	Part Number	Description	Qty.	Remarks
26	00037720	Plate	1	
27	00752350	Edge Protection	1900mm	
28	00901350	Nut	6	
29	00054310	Retaining Ring	2	
30	00512400	Carrier	2	
31	00736620	Washer	1	
32	00077110	Hexagon Screw	1	
33	00861700	Spray Tube	2	
34	00180190	Hose	2	
35	00821550	Tube Clamp	2	
36	00901310	T-Reducer Muff	1	
37	00539730	Screw	6	
38	00712010	Center-Lock, cpl.	1	
39	00157110	Tapping Screw	1	
40	00053720	Washer	1	
41	00553060	Carbon Brush (Set 4 pc.)	1	
42	00112200	Fan Hood	1	
43	00112210	Fan wheel	1	
44	00681500	Center-Lock, Lower Part	1	
45	00681490	Center-Lock, Upper Part	1	
46	00967760	Cable Tie	2	
47	01073210	Iron Sleeve	1	
48	01076490	Bushing	1	

Side Squeegee Assembly L & R BT130

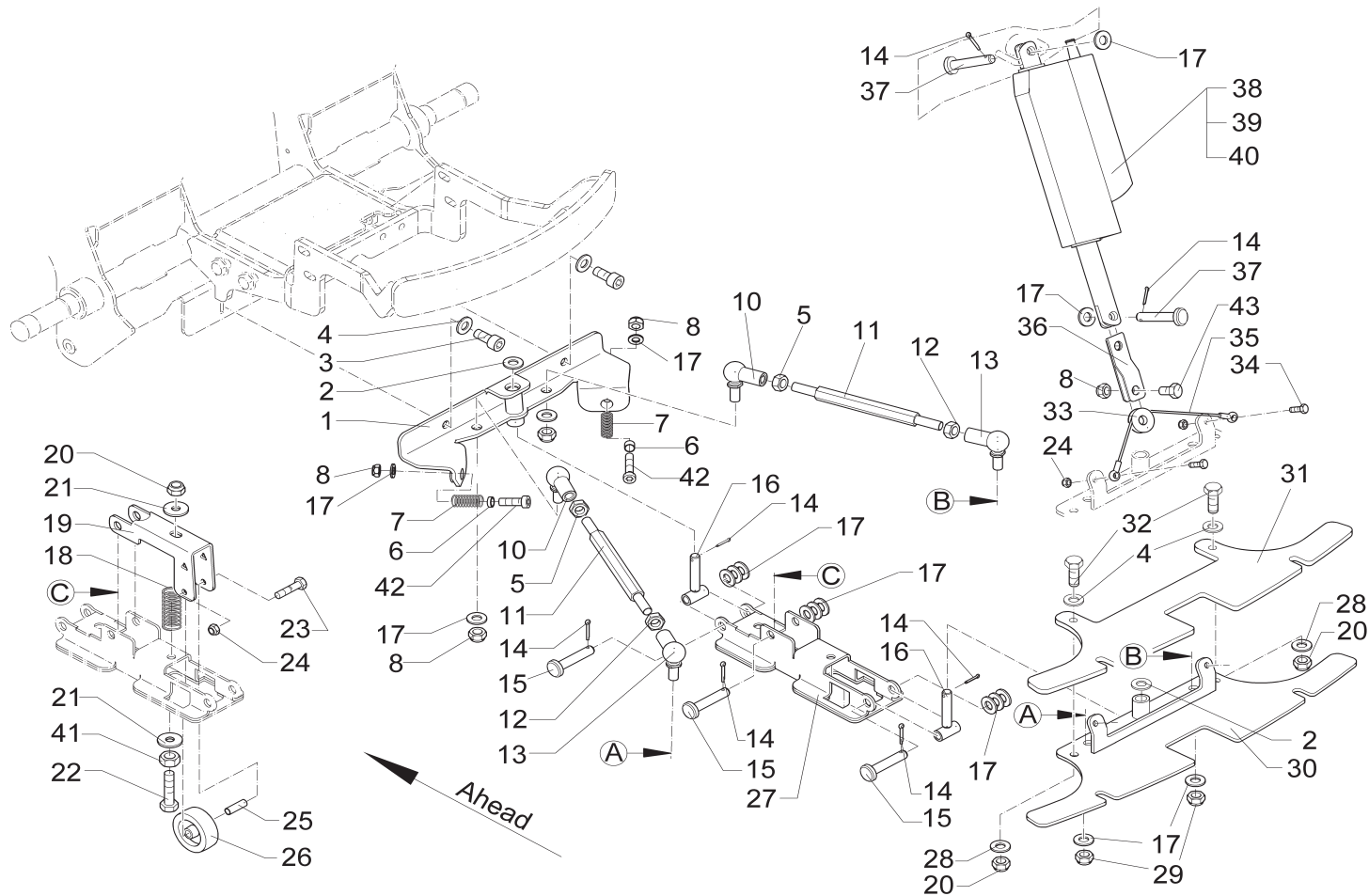


Admiral 32 (99709033) Rev.00 6/28/07

99709033BT130 Side Squeegee Assembly R.H. & L.H.

Item	Part Number	Description	Qty.	Remarks
1	01073920	Tightening Band	2	
2	01073890	Squeegee Blade	2	
3	01075440	Brush Strut L.H., cpl.	1	
4	00042900	Washer	12	
5	00131730	Hex.Bolt	4	
6	01073870	Lever	4	
7	01073860	Slide Bearing Bushing	16	
8	01073910	Fitting Screw	8	
9	00053760	Washer	8	
10	00051500	Hexagon Nut	8	
11	00051520	Hexagon Nut	3	
12	00053730	Washer	3	
13	01073880	Lock Hook	2	
14	01073900	Spacer Sleeve	2	
15	00854090	Stop Buffer	3	
16	00101470	Wing Nut	2	
17	03003050	Brush Holder L.H.	1	
18	03003070	Brush Holder R.H.	1	
19	01075450	Brush Strut R.H., cpl.	1	
20	00051510	Hexagon Nut	8	

Squeegee Lift Assembly BT140

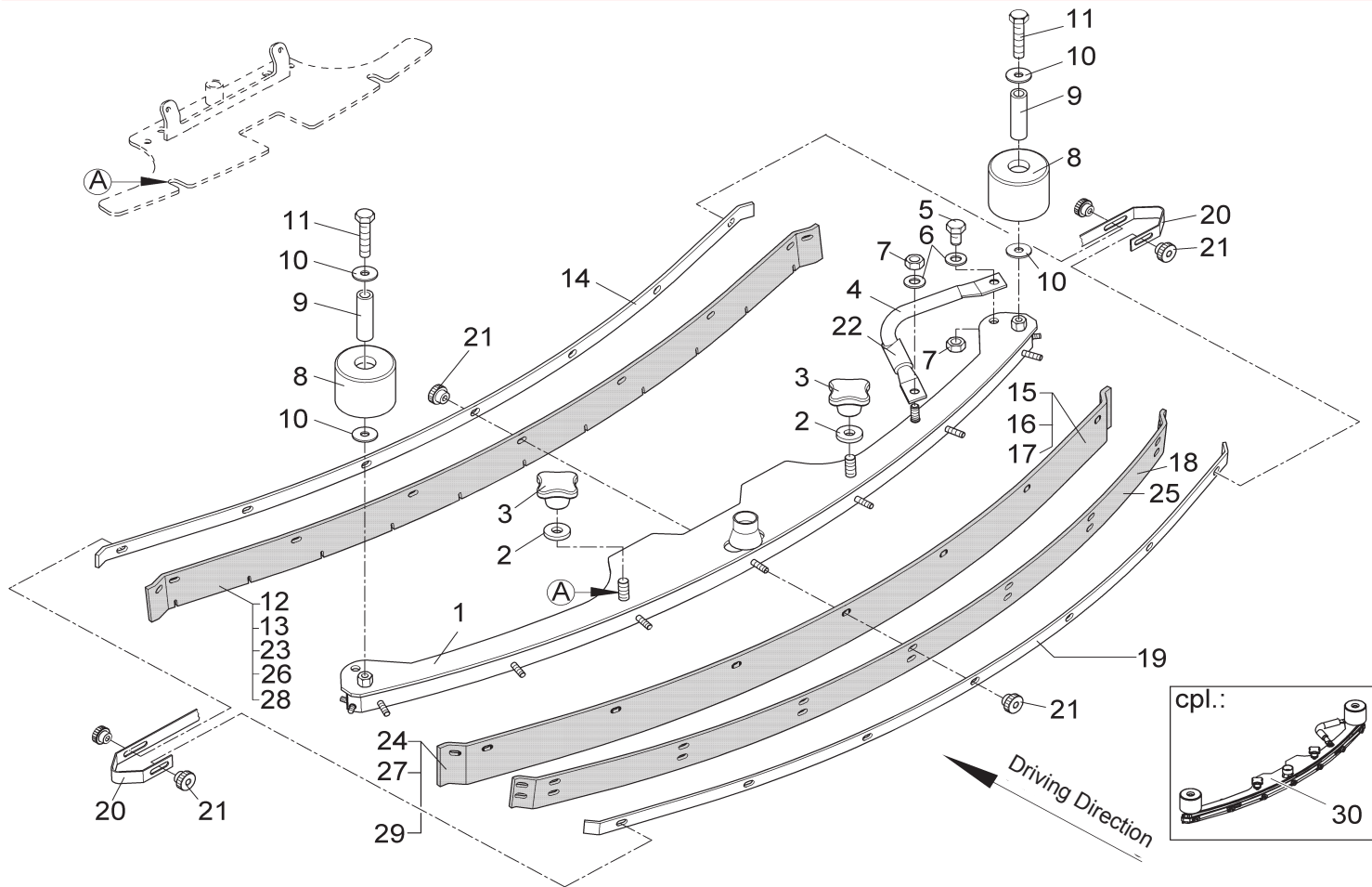


**Admiral 32 (99709033) Rev.00 6/28/07
99709033BT140 Squeegee Lift Assembly**

Item	Part Number	Description	Qty.	Note
1	01073110	Support, cpl.	1	
2	00053770	Washer	4	
3	00103300	Socket head screw	2	
4	00740090	Detent edged washer	2	
5	00053360	Hexagon nut	2	
6	01073100	Bushing	2	
7	01073090	Pressure spring	2	
8	00051500	Hexagon nut	7	
10	00527700	Angle joint	2	
11	01071460	Threaded rod	2	
12	00704470	Hex. Nut	2	
13	01071490	Angle joint	2	
14	00551410	Cotter pin	7	
15	00706440	Bolt	3	
16	01071500	Guide, cpl.	2	
17	00053760	Washer	19	
18	00550870	Pressure spring	1	
19	00974230	U-profil	1	
20	00051510	Hexagon nut	3	
21	00042900	Washer	2	
22	00053260	Hex.bolt	1	
23	00053050	Hex.bolt	1	

Item	Part Number	Description	Qty.	Note
24	00051520	Hexagon nut	3	
25	00902560	Bushing	1	
26	00902580	Wheel	1	
27	01072910	Support, cpl.	1	
28	00053750	Washer	4	
29	00704470	Hex. Nut	2	
30	01071960	Plate, cpl.	1	
31	01071970	Sheet metal	1	
32	00053100	Hexagon screw	2	
33	01071510	Roller guide	1	
34	00154210	Hex.bolt	2	
35	01071520	Guidance rope	1	
36	01071980	Support	1	
37	00539260	Bolt	2	
38	00712430	Lifting element	1	
39	00903190	Tab	2	
40	00903180	Plastic cover	1	
41	00046500	Hex. Nut	1	
42	00962430	Cylinder head screw	2	
43	00053310	Hexagon screw	1	

Squeegee Assembly BT150

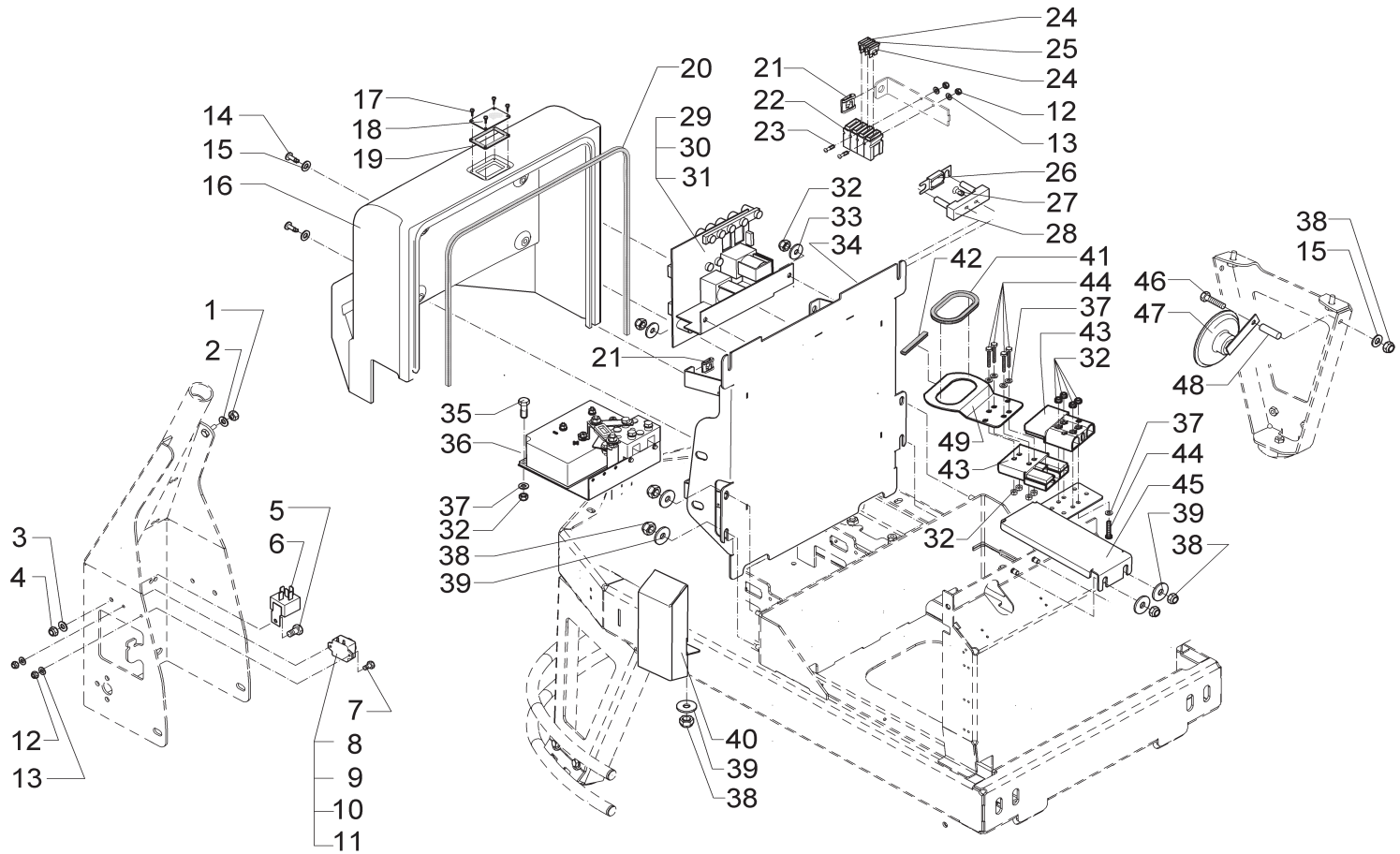


Admiral 32 (99709033) Rev.00 6/28/07

99709033BT150 Squeegee Assembly

Item	Part Number	Description	Qty.	Remarks
1	01071990	Squeegee	1	
2	00972060	Star Washer	2	
3	00866720	Star Handle	2	
4	00911330	Handle	1	
5	00864230	Hex.Bolt	1	
6	00053750	Washer	2	
7	00046500	Hex. Nut	2	
8	00976590	Roller	2	
9	00976580	Pipe	2	
10	00042900	Washer	4	
11	00557600	Hex.Bolt	2	
12	00671600	Squeegee Blade Front, Standard	1	
13	01050390	Squeegee Blade Front, High	1	
14	00245920	Strap	1	
15	00670750	Squeegee Blade, Rear Standard	1	
16	00442500	Squeegee Blade, Rear, Soft	1	
17	01050400	Squeegee Blade, Rear, High	1	
18	00563350	Reinforcement Blade	1	
19	00245910	Strap	1	
20	01058060	U-Bow Clamp	2	
21	00903210	Knurled Nut	14	
22	00911270	Hose	1	
23	00442260	Squeegee Blade Front, Oil Resistant	1	
24	00442280	Squeegee Blade Rear, Oil Resistant	1	
25	00442300	Reinforcement Blade	1	
26	01075910	Slot Strip PUR	1	
27	01075920	Squeegee Blade Rear PUR	1	
28	01077060	Squeegee Blade Front, Linatex	1	
29	01077010	Squeegee Blade Rear, Linatex	1	
30	01079150	Squeegee Assembly Complete	1	

Control Box Electrical BT160

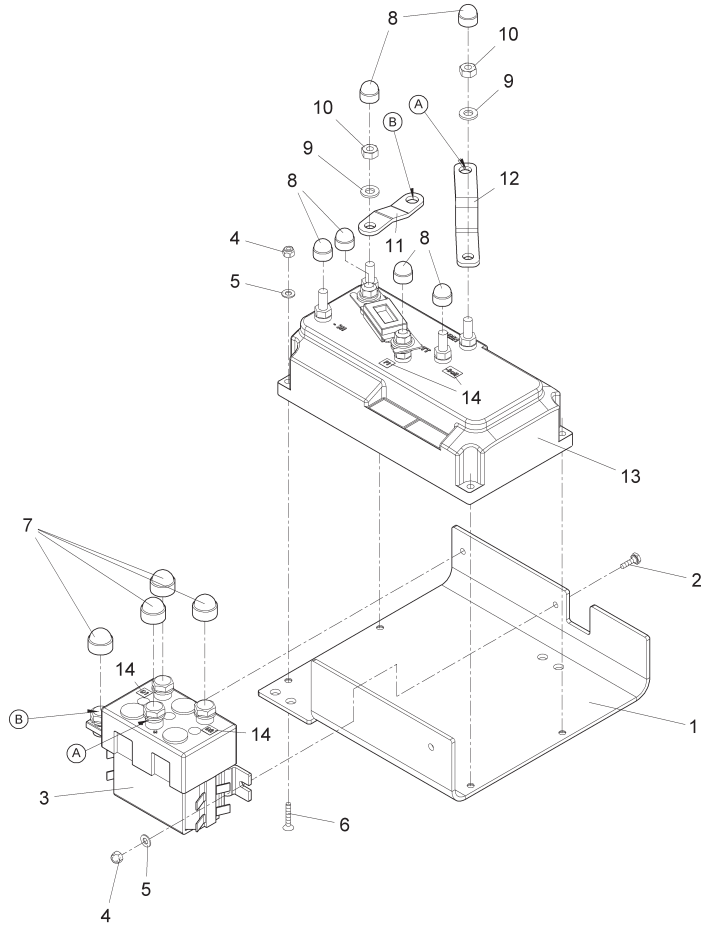


Admiral 32 (99709033) Rev.00 6/28/07
99709033BT160 Control Box Electrical

Item	Part Number	Description	Qty.	Remarks
1	00053330	Hexagon Nut	1	
2	01072030	Toothed Washer	1	
3	00053720	Washer	1	
4	00051340	Hexagon Nut	1	
5	00152800	Hex.Bolt	1	
6	00965030	Relay	1	
7	00042350	Hex.Bolt	2	
8	00745850	Signal Transmitter	1	
9	00121010	Cable Tie	1	
10	00903180	Plastic Cover	1	
11	00903170	Tab	2	
12	00022200	Hex. Nut	4	
13	00553740	Washer	4	
14	00740900	Tapping Screw	2	
15	00053750	Washer	5	
16	03000530	Cover Control Box	1	
17	00902430	Self Tapping Screw	4	
18	01072050	Inspection Glass	1	
19	01072060	Seal	1	
20	00740410	Cord Gasket	1150mm	
21	XXXXXXXX	No Part-No.	4	12181137 Snap nut 6,3
22	00733650	Fuse Holder	3	
23	01072070	Phillips Head Screw	2	
24	00733630	Fuse	2	
25	00509550	Fuse	1	
26	00059580	Fuse	1	

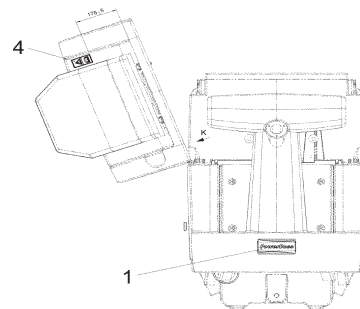
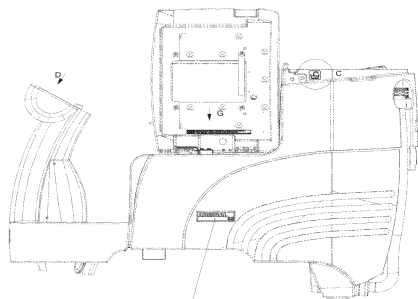
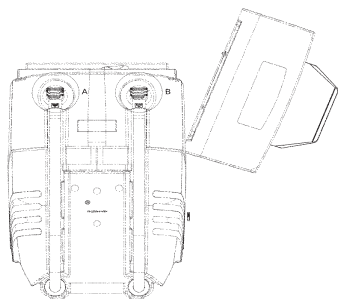
Item	Part Number	Description	Qty.	Remarks
27	00157110	Tapping Screw	2	
28	00121440	Fuse Holder	1	
29	00752920	Module	1	
30	00744700	Fuse	2	
31	00876690	Fuse	2	
32	00051520	Hexagon Nut	12	
33	00135120	Washer	2	
34	03000540	Electronic Box	1	
35	00053020	Hexagon Screw	2	
36		Drive Controller Zapi cpl.	1	See BT161
37	00053730	Washer	6	
38	00051510	Hexagon Nut	8	
39	00042900	Washer	7	
40	03000550	Ventilation Duct	1	
41	00721090	Edge Protection	2220mm	
42	00721090	Edge Protection	700mm	
43	00954520	Charging Connector	2	
44	00053290	Hexagon Screw	4	
45	XXXXXXXX	No Part-No.	1	90534579 Retainer
46	00074260	Hex.Bolt	1	
47	00852420	Horn	1	
48	00073410	Bushing	1	
49	XXXXXXXX	No Part-No.	1	90535022 Handle

Drive Control Contactor Assembly BT161



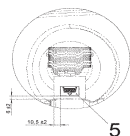
Admiral 32 (99709033) Rev.00 6/28/07
Drive Control Contactor

Item	Part Number	Description	Qty.	Remarks
1	01079020	Angle Plate	1	
2	00023080	Hex.Bolt	2	
3	01079030	Reversion Contactor	1	
4	00133830	Hex. Nut	6	
5	00053710	Washer	6	
6	00551120	Screw	4	
7	00131610	Lens Cap	4	
8	00525910	Lens Cap	6	
9	00053730	Washer	2	
10	00053330	Hexagon Nut	2	
11	01079050	Current Bar	1	Connection to Connection Point "FR" of Drive Control
12	01079040	Current bar	1	Connection to connection point "VMN" of drive control
13	01079060	Driving control	1	

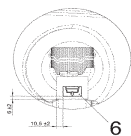


2
rechte und linke Seite
L/R and R/L

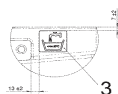
A (1:2)



B (1:2)

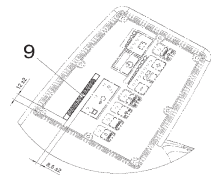


C (1:2)

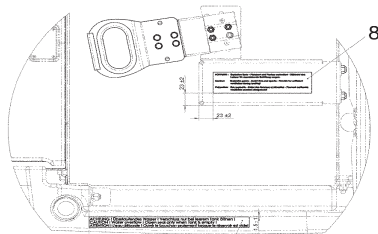


rechte und linke Seite
L/R and R/L

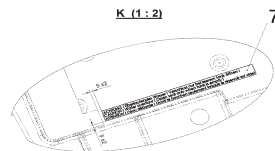
D (1:2)



G (1:2)



K (1:2)



7

Admiral 32 (99709033) Rev.00 6/28/07
99709033BT170 Decal Description

Item	Part Number	Description	Qty.	Remarks
1	XXXXXXXXXX	No Part-No.	2	17201179 Decal POWERBOSS
2	XXXXXXXXXX	No Part-No.	1	17205196 Decal ADMIRAL 32
3	01074400	Decal Caustic Solution Tank	2	
4	01071710	Decal "Instruction Manual"	1	
5	XXXXXXXXXX	No Part No.	1	17264888 Recovery Tank
6	XXXXXXXXXX	No Part No.	1	17264896 Solution Tank
7	XXXXXXXXXX	No Part No.	2	17269746 Decal
8	XXXXXXXXXX	No Part No.	1	17267139 Decal
9	XXXXXXXXXX	No Part No.	1	17205162 Decal ADMIRAL SERIES

Warranty Information

	Travel*	Labor	Parts	Engine
Walk Behinds				
Battery sweepers	Ninety days	One year	One year	N/A
IC sweepers	Ninety days	One year	One year	Through manufacturer
Battery scrubbers	Ninety days	Two years	Three years	N/A
Riders				
Battery scrubbers	Ninety days	Two years	Three years/2000 hrs	N/A
IC sweeper/scrubbers	Ninety days	Six months	Two years/2000 hrs	Two years/3000 hrs
IC sweepers	Ninety days	Six months	Four years/3000 hrs	Five years/3000 hrs
Exceptions				
Apex series sweepers	Ninety days	One year	One year/1000 hrs	One year/1000 hrs
6X sweeper	Ninety days	Six months	Two years/2000 hrs	Two years/2000 hours

Tank Bladders
Polypropylene Plastic Tanks
Batteries

Chargers
Replacement Parts
Travel Time

Eight years/ no additional labor
Ten years/ no additional labor
0-3 months full replacement
4-12 prorated credit
One-year replacement
Ninety days
*Two-hour cap

****Extended Warranties Available****

All above labor and travel reimbursed at 65% of the published shop rate.

Warranty Information

Revision D

Effective June 1, 2007

PowerBoss Made Simple Industrial Limited Warranty

PowerBoss warrants to the original purchaser/user that the product is free from defects in workmanship and materials under normal use. PowerBoss will, at its option, repair or replace without charge, parts that fail under normal use and service when operated and maintained in accordance with the applicable operation and instruction manuals. All warranty claims must be submitted through and approved by factory authorized repair stations.

This warranty does not apply to normal wear, or to items whose life is dependent on their use and care. Parts not manufactured by PowerBoss are covered by and subject to the warranties and/or guarantees of their manufacturers. Please contact PowerBoss for procedures in warranty claims against these manufacturers.

Special warning to purchaser -- Use of replacement parts not manufactured by PowerBoss or its designated licensees, will void all warranties expressed or implied. A potential health hazard exists without original equipment replacement.

All warranted items become the sole property of PowerBoss or its original manufacturer, whichever the case may be.

PowerBoss disclaims any implied warranty, including the warranty of merchantability and the warranty of fitness for a particular purpose. PowerBoss assumes no responsibility for any special, incidental or consequential damages.

This limited warranty is applicable only in the U.S.A. and Canada, and is extended only to the original user/purchaser of this product. Customers outside the U.S.A. and Canada should contact their local distributor for export warranty policies. PowerBoss is not responsible for costs or repairs performed by persons other than those specifically authorized by PowerBoss. This warranty does not apply to damage from transportation, alterations by unauthorized persons, misuse or abuse of the equipment, use of non-compatible chemicals, or damage to property, or loss of income due to malfunctions of the product. If a difficulty develops with this machine, you should contact the dealer from whom it was purchased.

This warranty gives you specific legal rights, and you may have other rights, which vary from state to state. Some states do not allow the exclusion or limitation of special, incidental or consequential damages, or limitations on how long an implied warranty lasts, so the above exclusions and limitations may not apply to you.

EC-Declaration Of Conformity (According To Directive 89/392/EEC)

PowerBoss, Inc.
175 Anderson Street
Aberdeen, North Carolina 28315

Declare under our sole responsibility,
that the product

Admiral 32
Type 7090

To which this declaration corresponds to the
relevant basic safety and health requirement of the
Directive 89/392/EEC, and to the requirements of
the other relevant Directives:

For the relevant implementation of the
safety and health requirements mentioned
in the Directives, the following standard(s)
and / or technical specification(s)
has (have) been respected:

EN 292
EN 60335-2-72
EN 55081-1
EN 50082-1

PowerBoss Is A Full Line Manufacturer Of Sweepers and Scrubbers For Industrial Facilities.

A Member Of The Hako Group



PowerBoss[®]
The Power of Clean



“The Power of Clean”

PowerBoss, Inc 175 Anderson Street P.O. Box 1227- Aberdeen North Carolina 28315

Phone: 800-982-7141 - Fax: 1-800-277-7141 Local: 910-944-2105 Fax: 910-944-7409 e-mail: techsupport@powerboss.com